

LCD MASTER 11

TOPARC

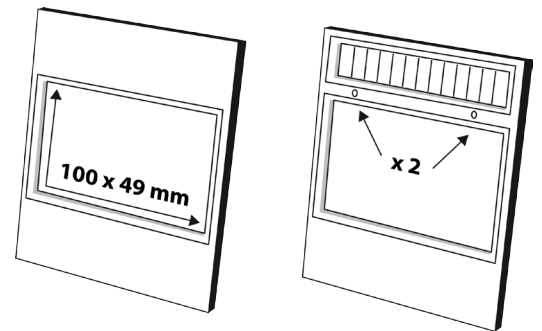
- **Shade: 3 / 11**
- **UV/ IR DIN 15 Protection**
- **No battery**



Ref. 043442

► TECHNICAL DATA

| | |
|---------------------|--|
| Classification | 1/1/1/1 |
| Clear shade | 3 |
| Dark shade | 11 |
| Reaction speed | 0.0005 sec |
| Back to clear speed | auto |
| Field of vision | 100x49 mm |
| Power supply | solar |
| Weight | 430 g |
| Light sensor | 2 |
| Applications | MMA 10►150 / TIG 10►175 / MIG-MAG 10►200 |
| Standards | EN 175 / EN 379 |



solar

► ACCESSORIES

